

# BONBON

DESIGN BY ANA KRAŠ



Ana Kraš' Bonbon Lamp is a hand-woven lantern that uses an original weaving technique to create a textured lampshade. Inspired by her drawings, Ana perceived the lines as threads that could fill the blank area around a lamp, resulting in one-of-a-kind pieces that were featured in numerous art shows and publications. In her lampshade collaboration with HAY, she uses the same idea of wrapping wool-nylon yarn around powder-coated steel frames to create individual lampshades that all vary slightly in their appearance and texture.

## PRODUCT DETAILS

- / A family of hand-woven lamps that transcends art and design boundaries.
- / High quality 80% wool 20% nylon yarn mix of material with UV stability.
- / Utilising a standard retro fit LED bulb (E27) for both table and pendant lamps.
- / Suitable for both private and office environments.

# HAY

**MATERIAL**

LAMP FRAME / Fabricated powder coated steel.

LAMP EXTERIOR / Yarn is 80% wool and 20% nylon mix.

CORD SET(S) / The Cord Sets are sold seperately.  
Table cord set features an in-line rocker switch.

Please note that the pendant and table cord sets are in black only.

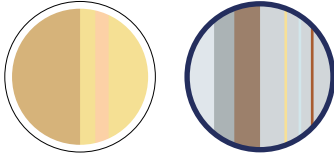
**COLOUR**

Available in 2 different colour palettes.

/ MEDIUM / Yellow Melange

/ LARGE / Earth Tones

**COLOUR**



MEDIUM  
YELLOW MELANGE

LARGE  
EARTH TONES

**CONSTRUCTION**

The lamp is hand woven in an original weaving technique around a spot welded, powder coated steel frame.

The entire production is based in Europe.

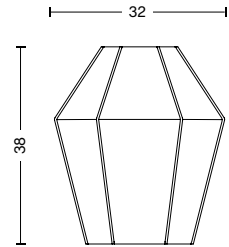
**DIMENSIONS**

MEDIUM BONBON

/ WIDTH 32 cm / 12.6"

/ LENGHT 32 cm / 12.6"

/ HEIGHT 38 cm / 15"

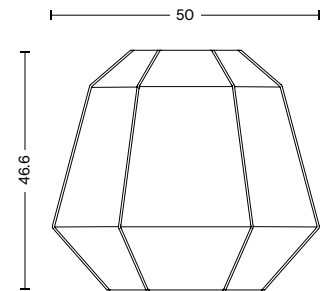


LARGE BONBON

/ WIDTH 50 cm / 19.7"

/ LENGHT 50 cm / 19.7"

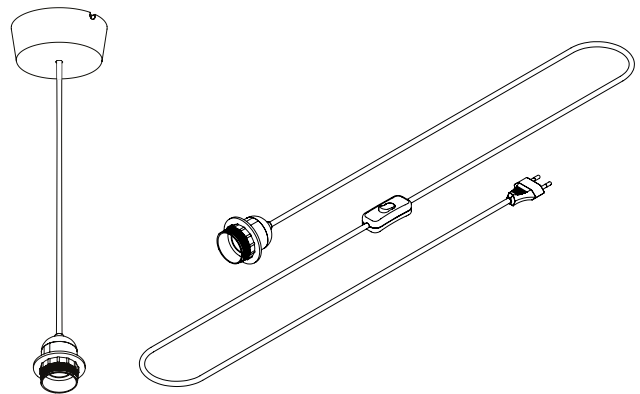
/ HEIGHT 46,6 cm / 18.3"



**OPTIONS**

/ E27 cord set for pendant (without bulb)

/ E27 cord set for table lamp (without bulb)



## CERTIFICATION

/ CE approved: This product has been assessed and complies with the essential requirements of the relevant European directives.

**CE** IP20

## DOWNLOADS

2D files, 3D files, pack shots are available in our image bank at [hay.com](http://hay.com).

Care- and maintenance instructions and test certificates are available at [hay.com](http://hay.com).

An overview of the complete Hay lighting collection including the PC family of lamps and accessories can be found at [hay.dk/en/contract/products/lighting](http://hay.dk/en/contract/products/lighting)

# HAY